



HTP 1548-40RGP Power Connection Kit

Dekoron Power Connection Kit for Roof & Gutters (with End Seal)

Installation Instructions

Kit Description

The Dekoron[®] HTP 1548-40RGP power connection kit for roof and gutters distributed by Heat-Line includes materials for one power connection and one end seal termination.

For use with Dekoron 2705-1RG (-2RG) as CSA type 2E for roof and gutter de-icing.

For use with Dekoron 2705-11T (-21T) as UL Listed snow melting and de-icing equipment.

Tools Required

- Ruler or tape measure
- Utility knife
- Needle-nose pliers
- Flat blade screw driver
- Diagonal cutters
- Heat gun or propane torch

Additional Materials Required (but not provided)

- Appropriate junction box and lock nut

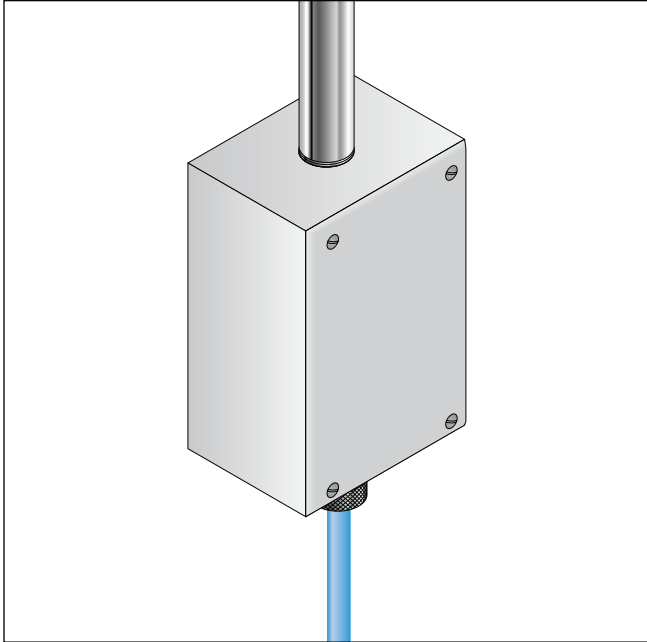
Approvals



De-Icing and Snow Melting Equipment
when used with associated kits and installed per manufacturer's instructions.



Certified Roof De-Icing
when used with associated kits and installed per manufacturer's instructions.

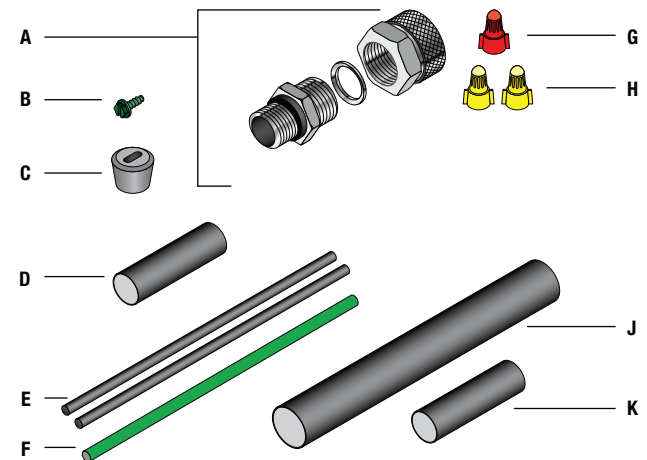


Power Connection Kit Parts

Item	Qty	Description
A	1	Sealing Fitting
B	1	Grounding Screw
C	1	Grommet
D	1	Heat Shrink Tube – Black (1/2" x 1-1/2")
E	2	Heat Shrink Tubes – Black (1/8" x 5-1/2")
F	1	Heat Shrink Tube – Green (1/4" x 5-1/2")
G	1	Wire Nut 18-12 AWG – Red
H	2	Wire Nuts 20-12 AWG – Yellow

End Seal Kit Parts

J	1	Heat Shrink Tube – Black (3/4" x 4")
K	1	Heat Shrink Tube – Black (1/2" x 1-1/2")

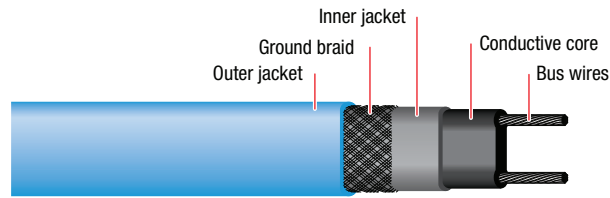


⚠ WARNING:

- The Canadian Electrical Code and National Electric Code requires ground fault protection of equipment for each branch circuit supplying electrical heating cables or devices.
- The contents of the component kit must be installed correctly to ensure proper operation and to prevent shock and fire. Read these important warnings and carefully follow all the installation instructions.
- Overheating heat-shrink tubes will produce fumes that may cause irritation. Use adequate ventilation and avoid charring or burning.
- To minimize the danger of fire from sustained electrical arcing if the heating cable is damaged or improperly installed, use a ground fault protection device. Arcing may not be stopped by conventional circuit breakers.
- Component approvals and performance are based on the use of specified parts only. Do not substitute parts or use vinyl electrical tape.
- The black heating-cable core is conductive and can short. It must be properly insulated and kept dry.
- Damaged bus wires can overheat or short. Do not break bus wire strands when preparing the cable for installation.
- Bus wires will short if they contact each other. Keep bus wires separated.
- Heat-damaged components can short. Use a heat gun or torch with a soft yellow low-heat flame; not a blue focused flame. Keep the flame moving to avoid overheating, blistering, or charring the heat-shrink tubes. Avoid heating the other components. Replace any damaged parts.
- Leave these installation instructions with the user for future reference.

HTP 1548-40RGP Power Connection Installation Instructions

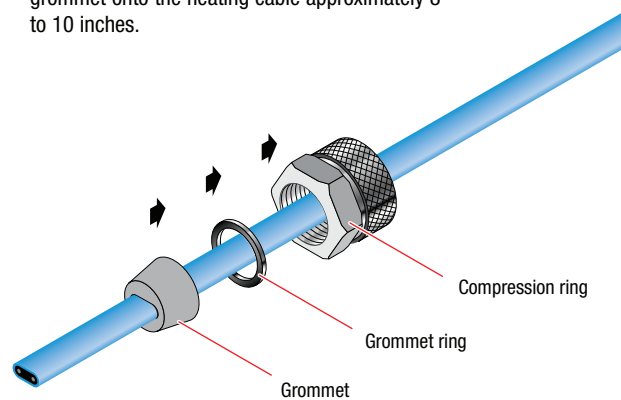
Heater with Ground Braid and Outer Jacket



Power Connection Installation Instructions

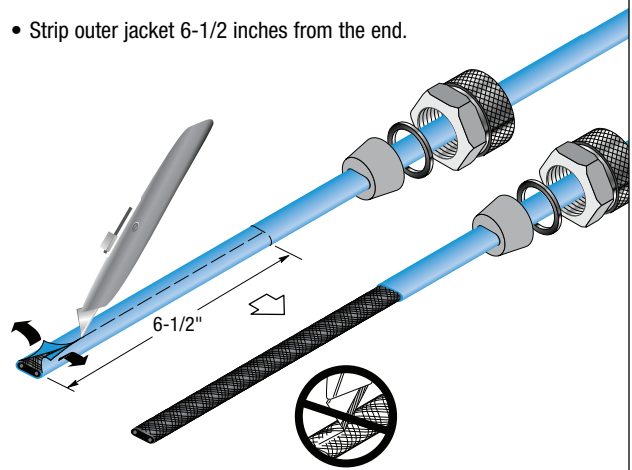
1

- Slide compression ring, grommet ring, and grommet onto the heating cable approximately 8 to 10 inches.



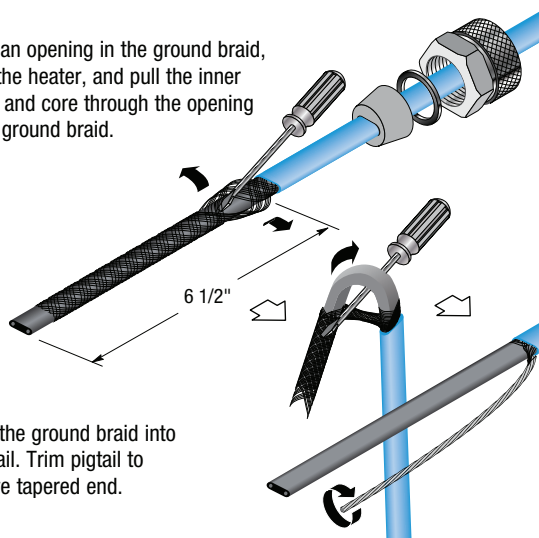
2

- Strip outer jacket 6-1/2 inches from the end.



3

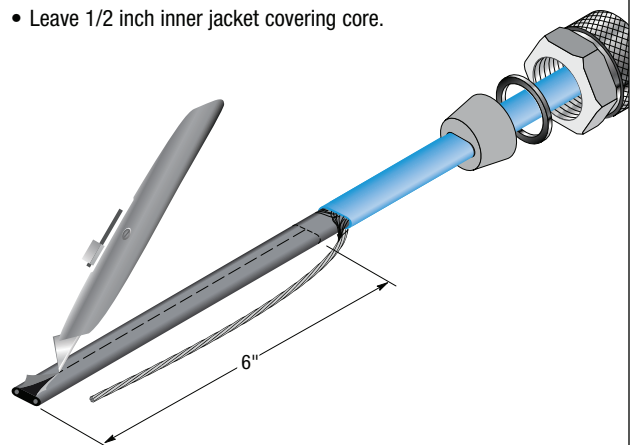
- Make an opening in the ground braid, bend the heater, and pull the inner jacket and core through the opening in the ground braid.



- Twist the ground braid into a pigtail. Trim pigtail to remove tapered end.

4

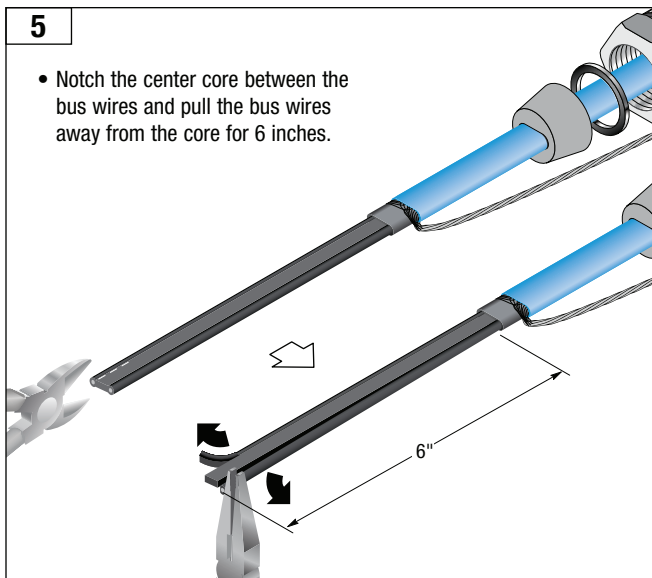
- Strip inner jacket as shown.
- Leave 1/2 inch inner jacket covering core.



HTP 1548-40RGP Power Connection Installation Instructions

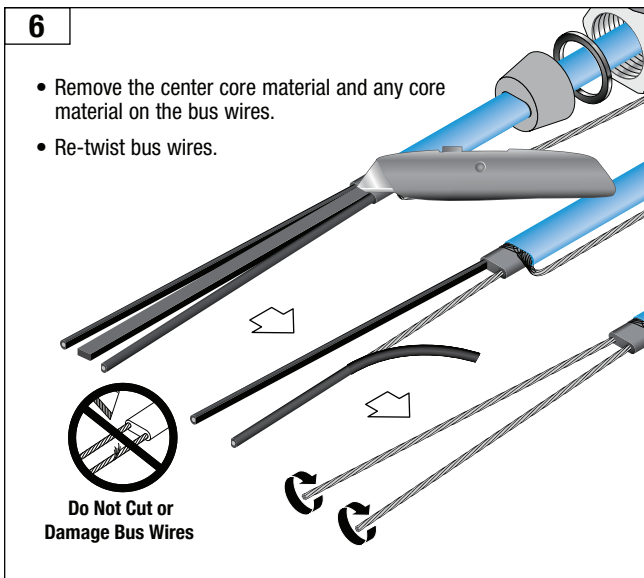
5

- Notch the center core between the bus wires and pull the bus wires away from the core for 6 inches.



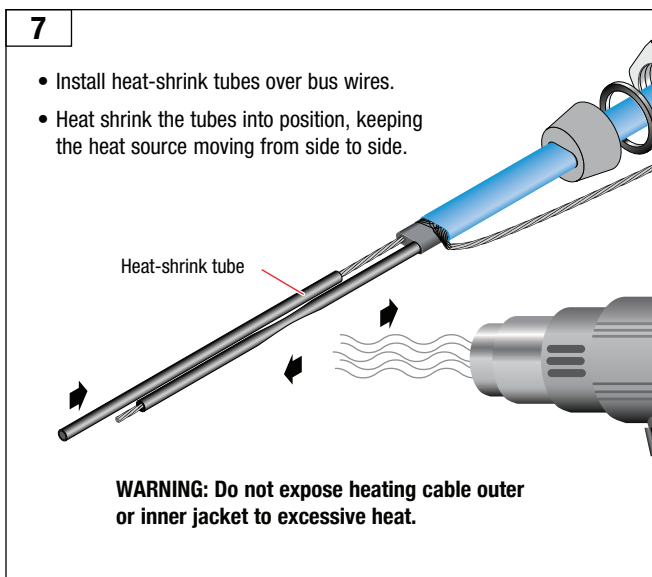
6

- Remove the center core material and any core material on the bus wires.
- Re-twist bus wires.



7

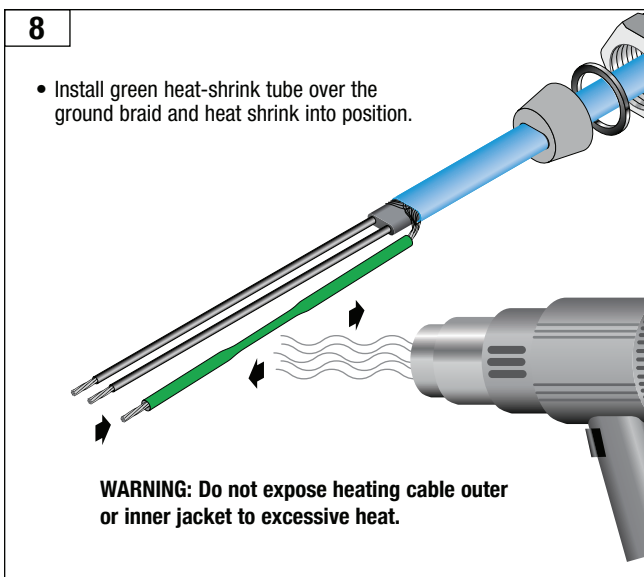
- Install heat-shrink tubes over bus wires.
- Heat shrink the tubes into position, keeping the heat source moving from side to side.



WARNING: Do not expose heating cable outer or inner jacket to excessive heat.

8

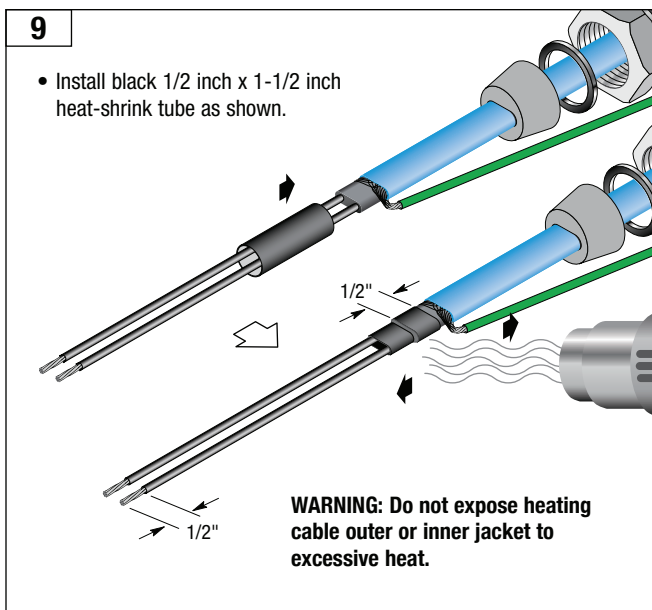
- Install green heat-shrink tube over the ground braid and heat shrink into position.



WARNING: Do not expose heating cable outer or inner jacket to excessive heat.

9

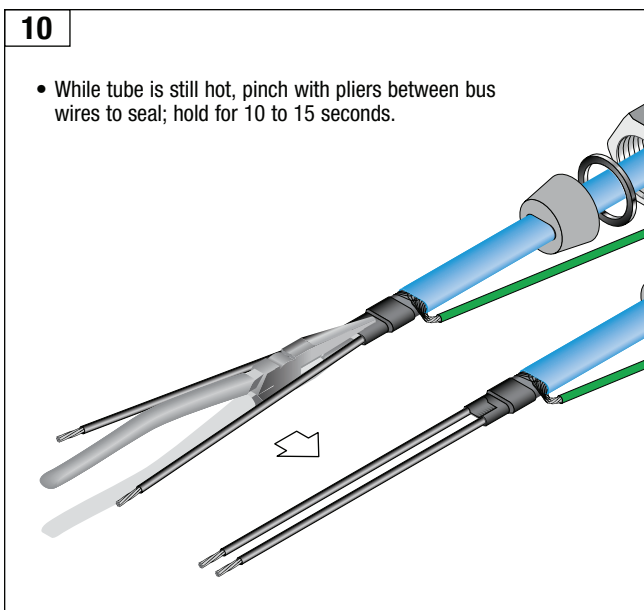
- Install black 1/2 inch x 1-1/2 inch heat-shrink tube as shown.



WARNING: Do not expose heating cable outer or inner jacket to excessive heat.

10

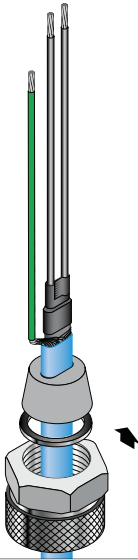
- While tube is still hot, pinch with pliers between bus wires to seal; hold for 10 to 15 seconds.



HTP 1548-40RGP Power Connection Installation Instructions

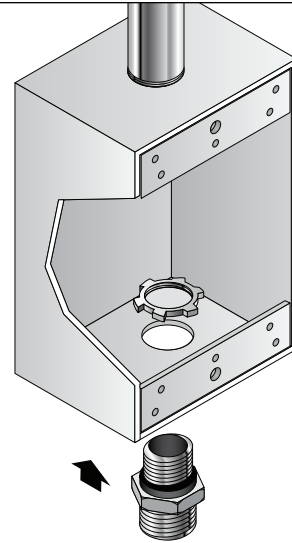
11

- Slide sealing fitting components to position at the core sealer.



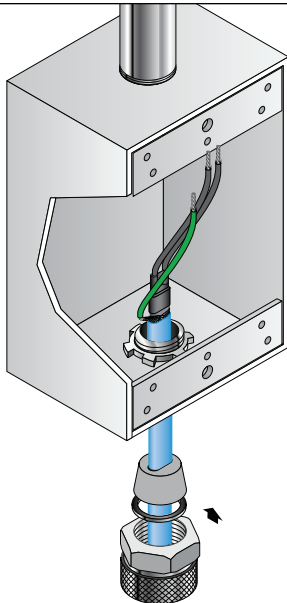
12

- Insert sealing fitting into junction box (Junction box and lock nut not included).



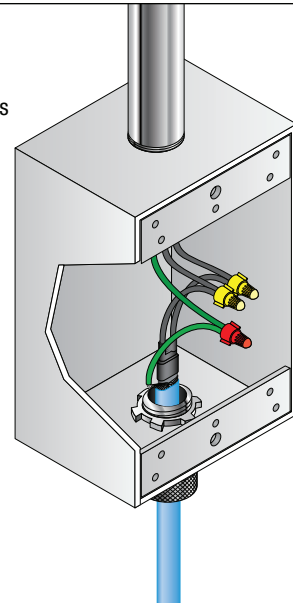
13

- Insert heating cable through sealing fitting and tighten components into place.



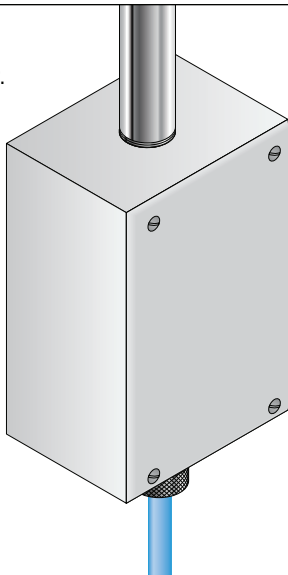
14

- Connect heating cable leads to power wire leads (ground braid pigtail to ground wire).



15

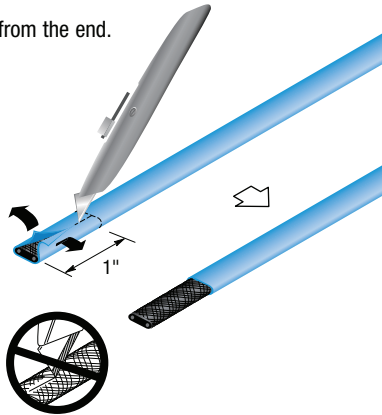
- Install weather tight cover.



End Seal Installation Instructions

1

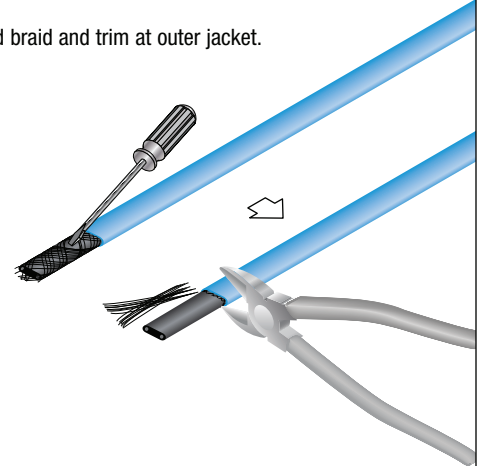
- Strip outer jacket 1 inch from the end.



**Do Not Cut or Damage
Ground Braid or Inner Jacket**

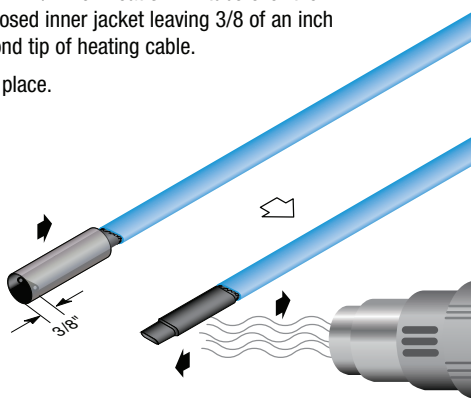
2

- Unravel ground braid and trim at outer jacket.



3

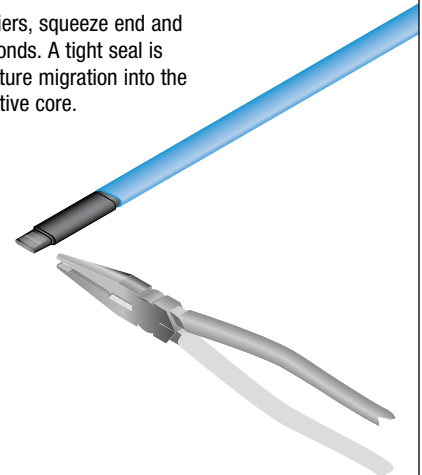
- Place the black 1-1/2 inch heat shrink tube over the end of the exposed inner jacket leaving 3/8 of an inch overhang beyond tip of heating cable.
- Shrink tube in place.



**WARNING : Do not expose heating cable
outer jacket to excessive heat.**

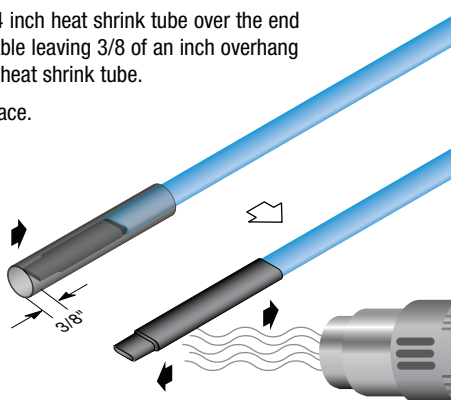
4

- Using needle-nose pliers, squeeze end and hold for 10 to 15 seconds. A tight seal is required to stop moisture migration into the heating cable conductive core.



5

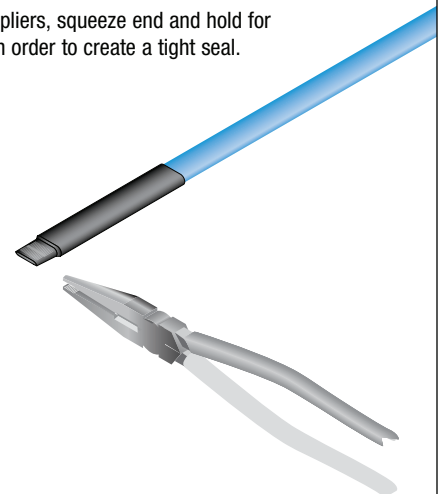
- Place the black 4 inch heat shrink tube over the end of the heating cable leaving 3/8 of an inch overhang over the smaller heat shrink tube.
- Shrink tube in place.



**WARNING : Do not expose heating cable
outer jacket to excessive heat.**

6

- Using needle-nose pliers, squeeze end and hold for 10 to 15 seconds in order to create a tight seal.



Heat-Line Freeze Protection Systems

1095 Green Lake Road
Algonquin Highlands, ON, Canada
KOM 1J1
Tel: 1-705-754-4545
1-800-584-4944
Fax: 1-705-754-4567
info@heatline.com
www.heatline.com

Heat-Line is a trademark of Heat-Line Corporation. All other trademarks are the property of their respective owners.

Important: All information, including illustrations, is believed to be reliable. Users, however, should independently evaluate the suitability of each product for their particular application. Heat-Line a Division of Christopher MacLean Ltd. makes no warranties as to the accuracy or completeness of the information, and disclaims any liability regarding its use. Heat-Line's only obligations are those in the Heat-Line Standard Terms and Conditions of Sale for this product, and in no case will Heat-Line be liable for any incidental, indirect, or consequential damages arising from the sale, resale, use, or misuse of the product. Specifications are subject to change without notice. Heat-Line reserves the right to make changes - without notification to Buyer - to processing or materials that do not affect compliance with any applicable specification. All heating cable products and or accessories presented in this document are distributed through Heat-Line a division of Christopher MacLean Limited in accordance with Heat Trace Products, LLC, the manufacturer.